




## FEATURES

- ❖ Operating Evaporating Temperature range from +65°C to -45°C
- ❖ Used for CFC, HCFC and HFC (R22, R134A, R404A, R407A, R407C, R507)
- ❖ Fusible Plug on larger sizes Accumulators (2.1/8, 2.5/8 and 3.1/8)
- ❖ Corrosion Resistant Powder Coated Finish

### ESA - PERFORMANCE DATA R404A / R507 / R134A / R22

Model	Volume (L)	Inlet / Outlet Connection (Inch)	Q, Nominal Capacity (kW)						Refrigerant Holding Capacity (kg) at 30°C			Accessories
			R404A / R507		R134A		R22		R404a R507	R134A	R22	
			Max. (+4°C)	Min. (-40°C)	Max. (+4°C)	Min. (-40°C)	Max. (+4°C)	Min. (-40°C)				
ESA-0400804	1.6	1/2" ODF	7.0	1.1	4.2	0.6	4.6	0.7	1.1	1.2	1.2	-
ESA-0401105	2.0	5/8" ODF	10.5	1.6	6.0	0.9	7.0	1.1	1.5	1.6	1.6	-
ESA-0551006	3.5	3/4" ODF	14.0	2.1	8.1	1.2	9.1	1.4	2.5	2.6	2.6	-
ESA-0551307	4.2	7/8" ODF	25.6	3.8	14.0	2.1	16.1	2.4	3.2	3.3	3.3	-
ESA-0651709	7.5	1.1/8" ODF	41.4	6.2	25.3	3.8	26.7	4.0	6.5	6.6	6.6	Round Base Mount
ESA-0652111	10.0	1.3/8" ODF	66.0	9.9	37.6	5.6	42.8	6.4	9.1	9.2	9.2	
ESA-0652413	11.0	1.5/8" ODF	100.0	15.0	59.7	9.0	63.9	9.6	10.1	10.2	10.2	
ESA-1002017	24.0	2.1/8" ODF	190.0	32.0	130.0	15.0	200.0	30.0	22.0	21.0	21.0	Round Base Mount 3/8 SAE Safety Plug
ESA-1002521	31.0	2.5/8" ODF	280.0	48.0	200.0	24.0	300.0	45.0	29.0	29.5	29.5	
ESA-1302525	43.0	3.1/8" ODF	420.0	71.0	300.0	35.0	450.0	67.0	39.0	39.5	39.5	

Maximum Operating Pressure is 28 bar  
Maximum Temperature is 100°C

### Correction Factor Guideline

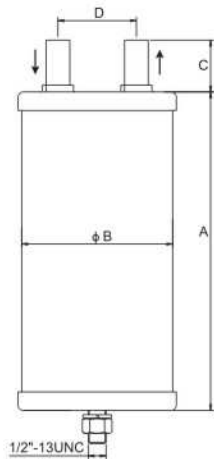
Evaporating Temperature	+4°C	0°C	-5°C	-10°C	-15°C	-20°C	-25°C	-30°C	-35°C	-40°C
K	1.00	1.12	1.35	1.75	2.00	2.50	3.00	3.75	5.00	6.60

Q = RQ x K  
Q = Nominal Capacity (kW)  
RQ = Required Cooling Capacity (kW)  
K = Correction Factor for a pressure drop of 1K saturating temperature

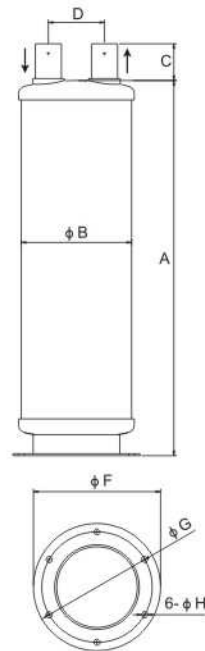
## ESA - TECHNICAL SPECIFICATIONS

Model	Dimension (mm)								Unit Weight (kg)
	A	B	C	D	E	F	G	H	
ESA-0400804	215	102	35	53	-	-	-	-	3.0
ESA-0401105	275	102	35	54	-	-	-	-	3.2
ESA-0551006	262	140	40	80	-	-	-	-	3.9
ESA-0551307	322	140	40	81	-	-	-	-	4.0
ESA-0651709	433	165	50	79	-	190	165	9.0	7.2
ESA-0652111	561	165	55	84	-	190	165	9.0	9.6
ESA-0652413	611	165	60	82	-	190	165	9.0	10.5
ESA-1002017	519	273	65	127	365	320	205	12.5	26.0
ESA-1002521	642	273	74	127	489	320	205	12.5	42.0
ESA-1302525	644	325	75	150	472	372	240	12.5	48.0

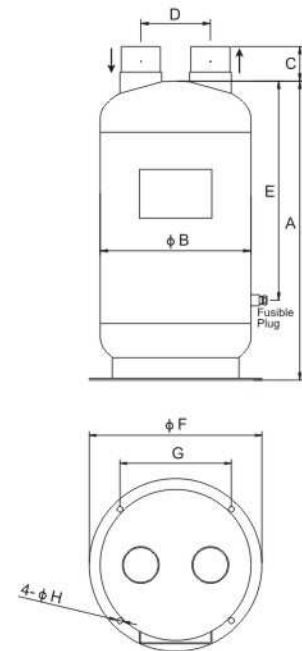
ESA-0400804...ESA-0551307



ESA-0651709...ESA-0652413



ESA-1002017...ESA-1302525



## NOMENCLATURE

ESA-0400804 HE

- HE - c/w Heat Exchanger Optional
- 04 - Connection (inches)
- 08 - Height (inches)
- 040 - Diameter (inches)
- ESA - Eden System - Protection Accumulator





**EDEN**  
**LIQUID RECEIVERS**  
**EPR Series**



## FEATURES

- ❖ Eden Receivers come complete with Sight Glass for Volume 13L and above
- ❖ Eden Receivers have strong mounting brackets that are completely adapted to the volume of the receiver
- ❖ Available in both Horizontal and Vertical Mounting to meet different system's requirement
- ❖ Applicable on all Refrigeration and Air Conditioning systems to store refrigerant in a system
- ❖ Eden Receivers are suitable for All refrigerants

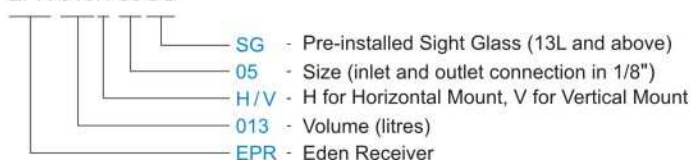
### ESA - PERFORMANCE DATA

R404A / R507 / R134A / R22

Model	Volume (L)	Inlet / Outlet Connection (Inch)	No. Of Moisture Indicator	Capacity (kg)			Maximum Working Pressure (Bar)	Maximum Operating Temperature (°C)
				R404A / R507	R134A	R22		
EPR-003V-03	3	3/8"	-	2.6	3.1	3.1	28	120
EPR-004V-04	4	1/2"	-	3.4	4.0	3.9	28	120
EPR-006V-05	6	5/8"	-	5.2	6.2	6.2	28	120
EPR-008V-05	8	5/8"	-	6.8	8.0	7.8	28	120
EPR-013V-05SG	13	5/8"	1	11.3	13.4	13.2	28	120
EPR-015V-05SG	15	5/8"	1	13.0	15.5	15.3	28	120
EPR-030V-07SG	30	7/8"	3	26.0	31.0	30.5	28	120
EPR-013H-05SG	13	5/8"	1	11.3	13.4	13.2	28	120
EPR-015H-05SG	15	5/8"	1	13.0	15.5	15.3	28	120
EPR-030H-07SG	30	7/8"	2	26.0	31.0	30.5	28	120
EPR-040H-09SG	40	1.1/8"	2	33.9	40.3	39.7	28	120
EPR-055H-09SG	55	1.1/8"	2	46.9	55.8	55.0	28	120

## NOMENCLATURE

EPR-013H-05SG



**EPR - TECHNICAL DATA**

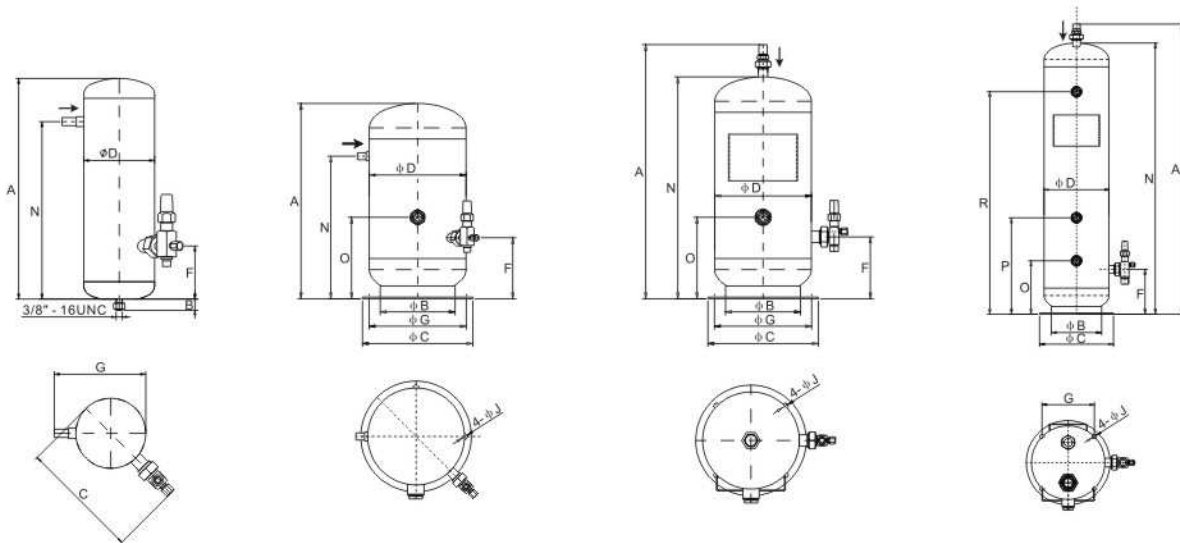
Model	Dimension (mm)											Unit Weight (kg)
	A	B	C	D	F	G	N	O	P	R	J	
EPR-003V-03	355	18	195	114	85	149	285	-	-	-	-	4
EPR-004V-04	446	18	195	114	85	149	332	-	-	-	-	5
EPR-006V-05	361	20	240	159	111	193	241	-	-	-	-	7
EPR-008V-05	473	20	240	159	111	193	366	-	-	-	-	8
EPR-013V-05SG	441	170	250	219	138	220	322	184	-	-	13	12
EPR-015V-05SG	574	170	250	219	140	220	501	184	-	-	13	14
EPR-030V-07SG	978	170	250	219	151	156	914	180	325	750	13	25

EPR-003V-03...EPR-008V-05

EPR-013V-05SG

EPR-015V-05SG

EPR-030V-05SG



Model	Dimension (mm)															Unit Weight (kg)
	A	B	C	D	E	F	G	H	J	L	U	U*	X	Y	Z	
EPR-013H-05SG	742	142	774	159	141	203	110	550	9	195	295	-	60	30	110	12
EPR-015H-05SG	842	142	874	159	111	148	110	550	9	195	335	-	60	30	110	13
EPR-030H-07SG	910	200	944	219	140	179	160	550	9	268	381	-	60	30	180	25
EPR-040H-09SG	1180	200	1214	219	160	200	160	740	9	268	381	-	60	30	180	33
EPR-055H-09SG	1630	200	1664	219	150	299	160	900	9	268	381	381	130	26	180	42

EPR-013H-05SG

EPR-015H-05SG

EPR-030H-07SG...EPR-040H-09SG

EPR-055H-09SG

