

G5
CO₂

**MEDIUM
PROFILE
UNIT COOLER**



ECON –Medium Temperature Application

Capacity: 5.14kW to 53.52kW

ECOL – Low Temperature Application

Capacity: 1.34kW to 18.50kW

Pressure limit: up to 60 bar

G5 CO₂

MEDIUM PROFILE UNIT COOLER

► Advantage of Refrigerant CO₂

Environmental friendly, which consist of zero of ODP (Ozone Depletion Potential) and very low GWP (Global Warming Potential). CO₂ basically a safe refrigerant with its toxic-free and flammability-free, which is suitable to use in various type of application. Safety group L1/A1.

► General features

Coils are designed to maximize thermal efficiency for CO₂. High pressure copper tubes are used which allow maximum operating pressure of 60 bar.

Casing comes in high quality powder coated Aluminium, according to AA1100 Standard. Centre plates are built in to enhance air side performance and structural strength for models with 2 or more fans.

Compact design reduces unit cooler volume to enhance cold room productivity by not giving up the capacity.

Defrosting is by electrical sheathed stainless steel heater elements fitted with molded insulated connection and low temperature silicone leads, to ensure effective defrosting and durability. Water resulting from defrosting is channelled to the drain pan with a centrally positioned outlet for positive draining from all points.

Fins are produced from high-grade Aluminium (Aluminium Association –AA 1100 Standard) with Double Sine Wave Pattern and Rippled Fin Edge to provide higher heat transfer efficiency.

Fan motors are of high quality ensuring long life and durability for both high and low temperature application. Induced draught and forced draught are available (To be indicated upon purchase of units).

Electrical junction boxes are mounted inside the unit coolers and accessible by hinge door panels.

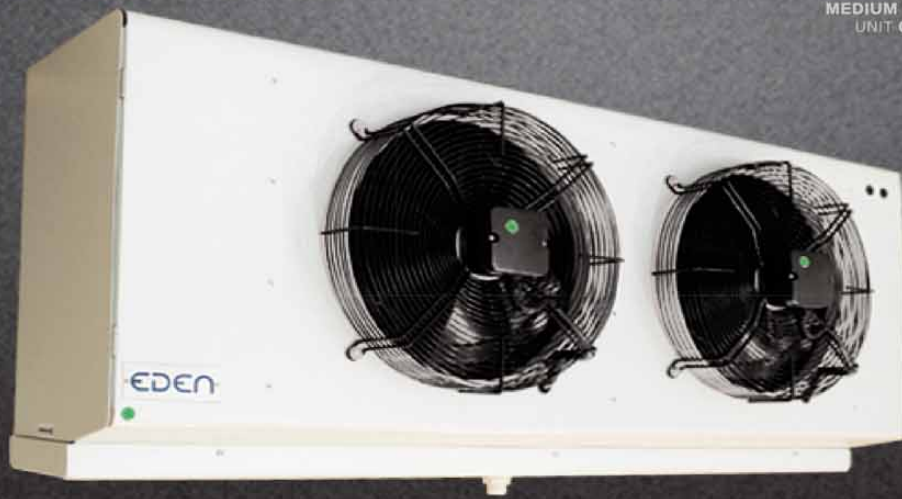
Both side panels with hinges, created to allow easy access and service of components without removing the panels.

Capacity Ratings are thermally guaranteed by Eden, with adequate maintenance required.

Quality Assurance for all Eden products are designed, manufactured and tested in our factories that are ISO9001 certified.

One Year Warranty from day of purchase for all Eden Heat Exchanger products (Terms and conditions apply).

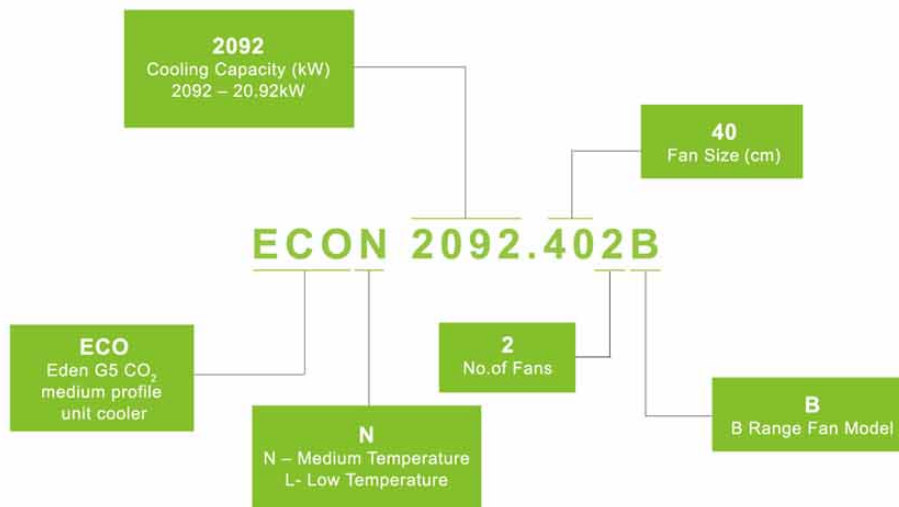




Options

- a Copper-Fins Coil
- b Epoxy-coated Aluminium Fin Coil are available upon request.
- c Stainless Steel Casing
- d EC Fan

Nomenclature



ECON Medium Temperature Unit Cooler

Model & Capacity		Fan Data								
Model	CO ₂ Rated Capacity* (kW)	Fan Size (mm)	Qty	Motor Voltage (V)	Motor Power (kW)	Motor Current (A)	Phase	Frequency (Hz)	Fan Speed (rpm)	Air Flow (m ³ /h)
ECON 0514.401B	5.14	400	1	400	0.19	0.5	3	50	1350	2988
ECON 0734.401B	7.34	400	1	400	0.19	0.5	3	50	1350	2952
ECON 0903.401B	9.03	400	1	400	0.19	0.5	3	50	1350	2917
ECON 1162.401B	11.62	400	1	400	0.19	0.5	3	50	1350	2847
ECON 1468.402B	14.68	400	2	400	0.38	1.0	3	50	1350	5940
ECON 1807.402B	18.07	400	2	400	0.38	1.0	3	50	1350	5869
ECON 2092.402B	20.92	400	2	400	0.38	1.0	3	50	1350	5798
ECON 2323.402B	23.23	400	2	400	0.38	1.0	3	50	1350	5729
ECON 2744.403B	27.44	400	3	400	0.57	1.5	3	50	1350	8928
ECON 3170.403B	31.70	400	3	400	0.57	1.5	3	50	1350	8821
ECON 3655.404B	36.55	400	4	400	0.76	2.0	3	50	1350	11880
ECON 4227.404B	42.27	400	4	400	0.76	2.0	3	50	1350	11737
ECON 4697.404B	46.97	400	4	400	0.76	2.0	3	50	1350	11597
ECON 5352.405B	53.52	400	5	400	0.95	2.5	3	50	1350	14940

▶ Room Temperature +2°C @ 12KTD ▶ Refrigerant CO₂ ▶ Maximum permissible operating pressure: 60 bar ▶ Pumped Evaporator

ECOL Low Temperature Unit Cooler

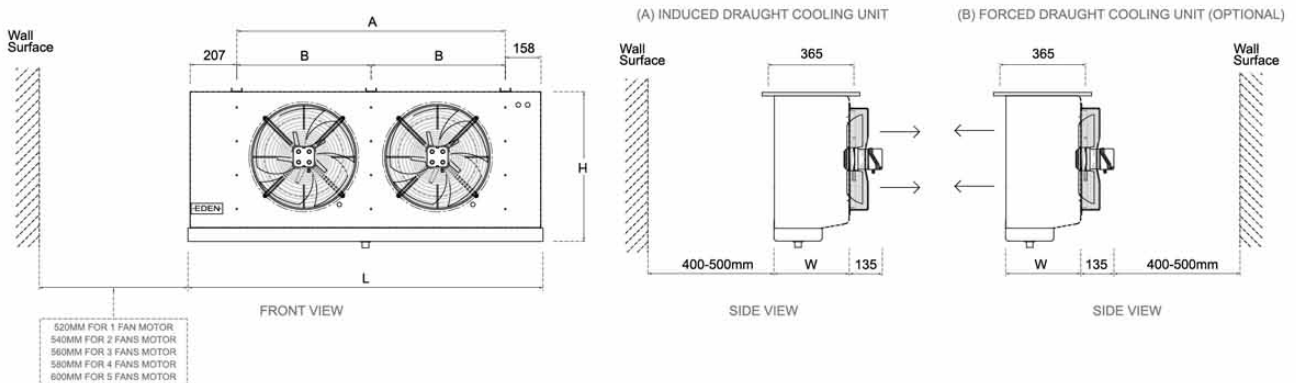
Model & Capacity		Fan Data									Coil Heater		Drain Pan Heater	
Model	CO ₂ Rated Capacity* (kW)	Fan Size (mm)	Qty	Motor Voltage (V)	Motor Power (kW)	Motor Current (A)	Phase	Frequency (Hz)	Fan Speed (rpm)	Air Flow (m ³ /h)	Qty	Watts	Qty	Watts
ECOL 0134.401B	1.34	400	1	400	0.19	0.5	3	50	1350	3097	3	600	1	450
ECOL 0210.401B	2.10	400	1	400	0.19	0.5	3	50	1350	3060	4	600	1	450
ECOL 0269.401B	2.69	400	1	400	0.19	0.5	3	50	1350	3023	4	600	1	450
ECOL 0316.401B	3.16	400	1	400	0.19	0.5	3	50	1350	2987	4	600	1	450
ECOL 0362.401B	3.62	400	1	400	0.19	0.5	3	50	1350	2951	4	600	1	450
ECOL 0428.402B	4.28	400	2	400	0.38	1.0	3	50	1350	6120	4	1150	1	700
ECOL 0541.402B	5.41	400	2	400	0.38	1.0	3	50	1350	6047	4	1150	1	700
ECOL 0640.402B	6.40	400	2	400	0.38	1.0	3	50	1350	5974	4	1150	1	700
ECOL 0726.402B	7.26	400	2	400	0.38	1.0	3	50	1350	5902	4	1150	1	700
ECOL 0819.403B	8.19	400	3	400	0.57	1.5	3	50	1350	9180	4	1700	1	1070
ECOL 0970.403B	9.70	400	3	400	0.57	1.5	3	50	1350	9070	4	1700	1	1070
ECOL 1092.404B	10.92	400	4	400	0.76	2.0	3	50	1350	12240	4	2300	1	1400
ECOL 1294.404B	12.94	400	4	400	0.76	2.0	3	50	1350	12093	4	2300	1	1400
ECOL 1468.404B	14.68	400	4	400	0.76	2.0	3	50	1350	11948	4	2300	1	1400
ECOL 1630.405B	16.30	400	5	400	0.95	2.5	3	50	1350	15300	4	2950	1	1770
ECOL 1850.405B	18.50	400	5	400	0.95	2.5	3	50	1350	15116	4	2950	1	1770

▶ Room Temperature -19°C @ 6KTD ▶ Refrigerant CO₂ ▶ Maximum permissible operating pressure: 60 bar ▶ Direct Expansion Evaporator

Technical Specifications

Model	Size (mm)								Weight (kg)*	Inlet Connection (mm)	Outlet Connection (mm)	Drain Pipe (mm)
	A	B	H	W	L	H*	W*	L*				
ECON 0514.401B	588	-	639	330	957	820	620	1100	35	12.7	12.7	25.4
ECON 0734.401B	588	-	639	330	957	820	620	1100	38	15.8	15.8	25.4
ECON 0903.401B	588	-	639	330	957	820	620	1100	40	22.2	22.2	25.4
ECON 1162.401B	588	-	639	330	957	820	620	1100	44	22.2	22.2	25.4
ECON 1468.402B	1148	574 (x2)	639	330	1517	820	620	1660	62	22.2	22.2	25.4
ECON 1807.402B	1148	574 (x2)	639	330	1517	820	620	1660	66	22.2	22.2	25.4
ECON 2092.402B	1148	574 (x2)	639	330	1517	820	620	1660	71	22.2	22.2	25.4
ECON 2323.402B	1148	574 (x2)	639	330	1517	820	620	1660	75	22.2	22.2	25.4
ECON 2744.403B	1707	569 (x3)	639	330	2077	820	620	2220	96	22.2	22.2	25.4
ECON 3170.403B	1707	569 (x3)	639	330	2077	820	620	2220	102	22.2	22.2	25.4
ECON 3655.404B	2268	567 (x4)	639	330	2637	820	620	2790	124	28.6	28.6	25.4
ECON 4227.404B	2268	567 (x4)	639	330	2637	820	620	2790	133	28.6	28.6	25.4
ECON 4697.404B	2268	567 (x4)	639	330	2637	820	620	2790	141	28.6	28.6	25.4
ECON 5352.405B	2830	566 (x5)	639	330	3198	820	620	3350	162	34.9	34.9	25.4
ECOL 0134.401B	588	-	639	330	957	820	620	1100	35	9.5	15.8	25.4
ECOL 0210.401B	588	-	639	330	957	820	620	1100	37	9.5	15.8	25.4
ECOL 0269.401B	588	-	639	330	957	820	620	1100	40	9.5	15.8	25.4
ECOL 0316.401B	588	-	639	330	957	820	620	1100	42	9.5	15.8	25.4
ECOL 0362.401B	588	-	639	330	957	820	620	1100	44	9.5	15.8	25.4
ECOL 0428.402B	1148	574 (x2)	639	330	1517	820	620	1660	62	9.5	15.8	25.4
ECOL 0541.402B	1148	574 (x2)	639	330	1517	820	620	1660	66	9.5	22.2	25.4
ECOL 0640.402B	1148	574 (x2)	639	330	1517	820	620	1660	70	12.7	22.2	25.4
ECOL 0726.402B	1148	574 (x2)	639	330	1517	820	620	1660	75	12.7	22.2	25.4
ECOL 0819.403B	1707	569 (x3)	639	330	2077	820	620	2220	95	12.7	22.2	25.4
ECOL 0970.403B	1707	569 (x3)	639	330	2077	820	620	2220	102	12.7	22.2	25.4
ECOL 1092.404B	2268	567 (x4)	639	330	2637	820	620	2790	123	12.7	22.2	25.4
ECOL 1294.404B	2268	567 (x4)	639	330	2637	820	620	2790	132	12.7	22.2	25.4
ECOL 1468.404B	2268	567 (x4)	639	330	2637	820	620	2790	140	15.8	28.6	25.4
ECOL 1630.405B	2830	566 (x5)	639	330	3198	820	620	3350	161	15.8	28.6	25.4
ECOL 1850.405B	2830	566 (x5)	639	330	3198	820	620	3350	171	15.8	28.6	25.4

► Packed Dimensions / Weight





www.edensolution.com

Eden accepts no responsibility for possible errors in catalogues, brochures and other printed materials. Eden reserves the right to alter its products without notice.

This includes products that have been ordered and such alterations can be made without prior notice.