

ScrollPak

Scrollpak Condensing Units Powered by Copeland

SPC Ver 2.2



Scrollpak Condensing Units Powered by Copeland

Scrollpak uses advance scroll technologies from Copeland coupled with Eden G4's latest heat transfer technologies setting a new standard of efficiency and reliability for Condensing Units. Scrollpak offers outstanding solution in commercial refrigeration application.

Features

- Compact and sophisticated outlook
- Fully assembled and ready to be installed to save on assembly and applied cost
- Scrollpak uses Scroll compressor designed for low noise and minimum vibration operation
- Wide operating range
 - LT and MT from -30°C to +5°C evaporating temperature
 - Same unit for either MT or LT Cold Room application
 - Reduce inventory for distributors and contractors
- Best-in-class Scroll Compressor efficiency and reliability
 - Up to 30% annual electrical savings from COP improvement as compared with reciprocating systems.
 - 70% fewer moving parts than reciprocating compressor
 - Superior liquid handling

Accessories

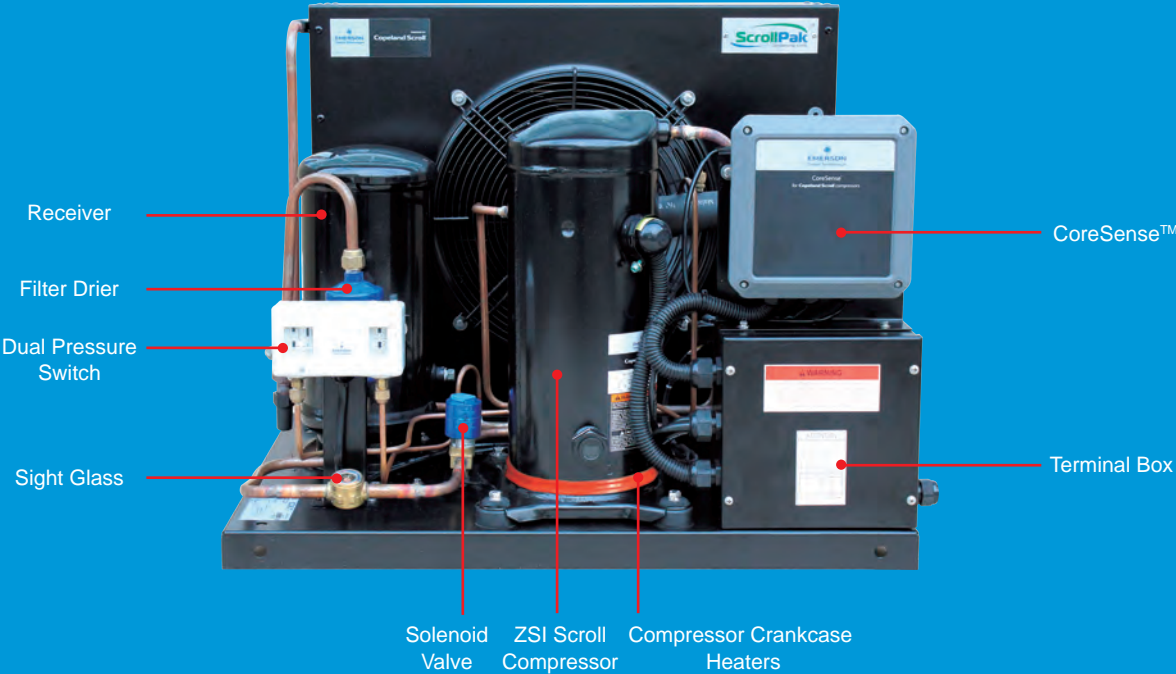
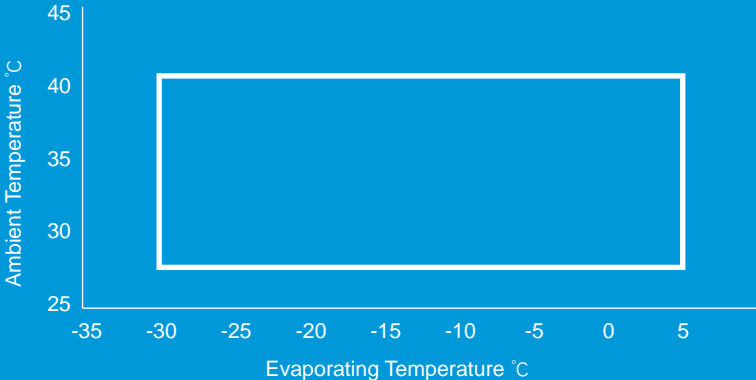
- Built-in CoreSense™ liquid injection control
 - Ensure low temperature operation reliability
 - Onboard control for liquid injection by sensing discharge line temperature (DLT)
 - Direct communication function by using LED inside CoreSense™
- Liquid receiver
- Liquid line solenoid valve
- Sight glass/moisture indicator
- Liquid line filter drier
- Dual pressure switch
- Compressor contactor
- Terminal box
- Compressor crankcase heaters



Optional

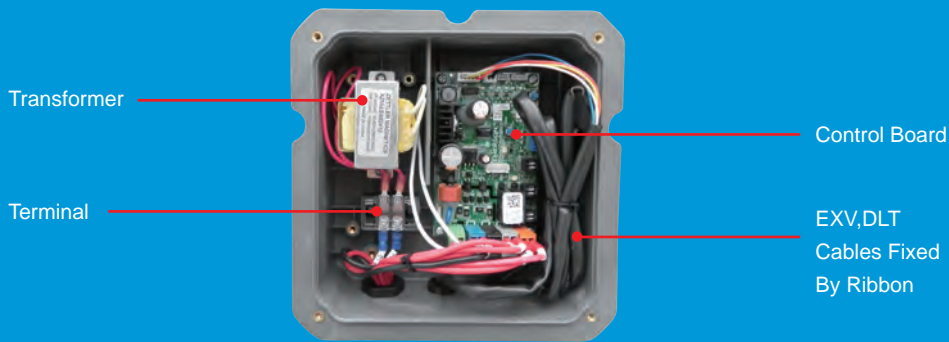
- Passivated corrosion protection fins (for installations in robust environments)
- Factory fitted liquid line valves
- Factory fitted oil separator
- Factory fitted suction accumulator

Operating Range

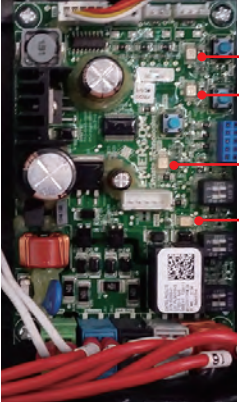


CoreSense™ Functions

- The board will be used to turn off/on the compressor based on demand signal from low pressure switch & thermostat
- The board will control liquid injection by driving the EXV based on DLT sensor readings.
The board has two modes to control liquid injection:
 - Manual mode
 - Auto mode
- The board provides diagnosis for DLT sensor status



LED Display	Description
1 (Yellow Green)	LED Blinking Pattern Indicates DLT Sensor Status
2 (Yellow Green)	LED 2 & LED 3 Combination And Blinking Patterns Indicate EXV Opening Or Closing
3 (Yellow Green)	LED 2 & LED 3 Blink Once When Entering Or Exiting EXV Manual Operation
4 (Red)	LED 4 Turns On As An Alarm When Triggered By Any Of The Following: 1) DLT Overheat Protection 2) DLT Sensor Open Circuit 3) DLT Sensor Short Circuit 4) DLT Sensor Under Detection Range 5) DLT Sensor Over Detection Range 6) DLT Sensor Failure At 130°C Or Above



LED3

LED2

LED1

LED4

Nomenclature

SPC030S.T.D31HA.00

- 00 - Optionals
- HA - High Ambient
- 1 - Number of Fan
- 3 - Size of Fan Motor in (mm) (3-350mm,4-400mm)
- D - Condenser Platform
- T - Three Phase, P-Single Phase
- S - Compressor Family
- 030 - Nominal Capacity (HP)
- C - Copeland
- SP - Scrollpak

Performance Data

Capacity(kW)

R404A

50Hz

Model	Nominal Power (HP)	Ambient Temperature (°C)	SCT (°C)	Refrigerating Capacity Q (kW)				Evaporating Temperature (°C)			
				-30	-25	-20	-15	-10	-5	0	5
SPC020B.P.B31	2	35	47	—	—	2.00	2.51	3.10	3.80	4.65	5.60
		38	50	—	—	—	2.34	2.90	3.60	4.35	5.25
		41	53	—	—	—	2.16	2.70	3.35	4.10	4.95
SPC020B.P.C31HA	2	35	44	—	—	2.15	2.68	3.30	4.05	4.90	5.90
		38	47	—	—	2.00	2.51	3.10	3.80	4.65	5.60
		41	50	—	—	—	2.34	2.90	3.60	4.35	5.25
SPC020B.T.B31	2	35	47	—	—	1.76	2.32	2.95	3.65	4.50	5.45
		38	50	—	—	—	2.11	2.70	3.40	4.15	5.05
		41	53	—	—	—	1.89	2.45	3.10	3.85	4.70
SPC020B.T.C31HA	2	35	44	—	—	1.95	2.52	3.15	3.90	4.80	5.80
		38	47	—	—	1.76	2.32	2.95	3.65	4.50	5.45
		41	50	—	—	—	2.11	2.70	3.40	4.15	5.05
SPC020S.P.B31	2	35	47	1.33	1.69	2.12	2.65	3.28	4.02	4.89	5.89
		38	50	1.23	1.56	1.97	2.47	3.06	3.77	4.59	5.55
		41	53	—	1.45	1.83	2.29	2.85	3.51	4.29	5.21
SPC020S.P.C31HA	2	35	44	1.43	1.81	2.28	2.84	3.50	4.28	5.19	6.23
		38	47	1.33	1.69	2.12	2.65	3.28	4.02	4.89	5.89
		41	50	1.23	1.56	1.97	2.47	3.06	3.77	4.59	5.55
SPC020S.T.B31	2	35	47	1.28	1.61	2.01	2.49	3.05	3.71	4.47	5.34
		38	50	1.17	1.49	1.87	2.31	2.84	3.45	4.16	4.96
		41	53	—	1.36	1.72	2.14	2.63	3.19	3.84	4.58
SPC020S.T.C31HA	2	35	44	1.38	1.73	2.15	2.66	3.26	3.97	4.78	5.71
		38	47	1.28	1.61	2.01	2.49	3.05	3.71	4.47	5.34
		41	50	1.17	1.49	1.87	2.31	2.84	3.45	4.16	4.96
SPC025B.P.B31	2.5	35	47	—	—	2.32	2.90	3.60	4.40	5.40	6.50
		38	50	—	—	—	2.70	3.35	4.15	5.05	6.10
		41	53	—	—	—	2.49	3.10	3.85	4.70	5.75
SPC025B.P.C31HA	2.5	35	44	—	—	2.48	3.10	3.85	4.70	5.70	6.90
		38	47	—	—	2.32	2.90	3.60	4.40	5.40	6.50
		41	50	—	—	—	2.70	3.35	4.15	5.05	6.10
SPC025B.T.B31	2.5	35	47	—	—	2.42	3.05	3.75	4.60	5.60	6.80
		38	50	—	—	—	2.82	3.50	4.30	5.25	6.40
		41	53	—	—	—	2.60	3.25	4.00	4.90	6.00
SPC025B.T.C31HA	2.5	35	44	—	—	2.60	3.25	4.00	4.90	5.95	7.20
		38	47	—	—	2.42	3.05	3.75	4.60	5.60	6.80
		41	50	—	—	—	2.82	3.50	4.30	5.25	6.40
SPC030S.T.C31	3	35	47	1.84	2.18	2.78	3.47	4.28	5.22	6.32	7.59
		38	50	1.65	1.99	2.55	3.21	3.97	4.86	5.90	7.12
		41	53	1.48	1.81	2.34	2.96	3.68	4.52	5.50	6.66
SPC030S.T.D31HA	3	35	44	1.65	2.39	3.02	3.75	4.60	5.59	6.74	8.08
		38	47	1.48	2.18	2.78	3.47	4.28	5.22	6.32	7.59
		41	50	—	1.99	2.55	3.21	3.97	4.86	5.90	7.12

Capacity based on 11°C Suction Superheat with no Sub-Cooling

Eden cannot guarantee performance of the Condensing Units if non-standard motors are used

CoreSense™ will not be offered in those models

Model	Nominal Power (HP)	Ambient Temperature (°C)	SCT (°C)	Refrigerating Capacity Q (kW)				Evaporating Temperature (°C)			
				-30	-25	-20	-15	-10	-5	0	5
SPC035S.T.C31	3.5	35	47	2.19	2.86	3.61	4.47	5.49	6.71	8.19	9.97
		38	50	2.05	2.69	3.39	4.20	5.16	6.32	7.72	9.44
		41	53	—	2.51	3.17	3.92	4.82	5.91	7.25	8.89
SPC035S.T.D31HA	3.5	35	44	2.32	3.03	3.82	4.73	5.80	7.09	8.64	10.50
		38	47	2.19	2.86	3.61	4.47	5.49	6.71	8.19	9.97
		41	50	2.05	2.69	3.39	4.20	5.16	6.32	7.72	9.44
SPC040S.T.D31	4	35	47	2.89	3.63	4.51	5.55	6.76	8.16	9.77	11.60
		38	50	2.70	3.39	4.21	5.17	6.30	7.61	9.12	10.85
		41	53	—	3.16	3.91	4.80	5.84	7.06	8.46	10.05
SPC040S.T.E42HA	4	35	44	3.08	3.87	4.81	5.92	7.21	8.70	10.40	12.40
		38	47	2.89	3.63	4.51	5.55	6.76	8.16	9.77	11.60
		41	50	2.70	3.39	4.21	5.17	6.30	7.61	9.12	10.85
SPC050S.T.D31	5	35	47	3.13	4.10	5.16	6.36	7.80	9.54	11.65	14.25
		38	50	2.95	3.88	4.87	6.01	7.35	8.99	11.00	13.45
		41	53	—	3.62	4.55	5.61	6.88	8.42	10.30	12.65
SPC050S.T.E42HA	5	35	44	3.30	4.32	5.43	6.70	8.22	10.05	12.30	14.95
		38	47	3.13	4.10	5.16	6.36	7.80	9.54	11.65	14.25
		41	50	2.95	3.88	4.87	6.01	7.35	8.99	11.00	13.45
SPC060S.T.E42	6	35	47	3.93	4.99	6.24	7.74	9.51	11.60	14.05	16.90
		38	50	3.66	4.66	5.84	7.25	8.93	10.90	13.25	16.00
		41	53	—	4.32	5.43	6.75	8.33	10.20	12.40	15.00
SPC060S.T.F42HA	6	35	44	4.20	5.31	6.64	8.21	10.10	12.30	14.85	17.85
		38	47	3.93	4.99	6.24	7.74	9.51	11.60	14.05	16.90
		41	50	3.66	4.66	5.84	7.25	8.93	10.90	13.25	16.00

Capacity based on 11°C Suction Superheat with no Sub-Cooling

Eden cannot guarantee performance of the Condensing Units if non-standard motors are used

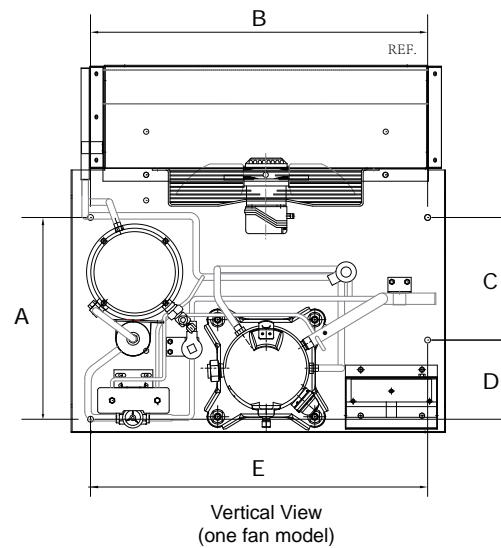
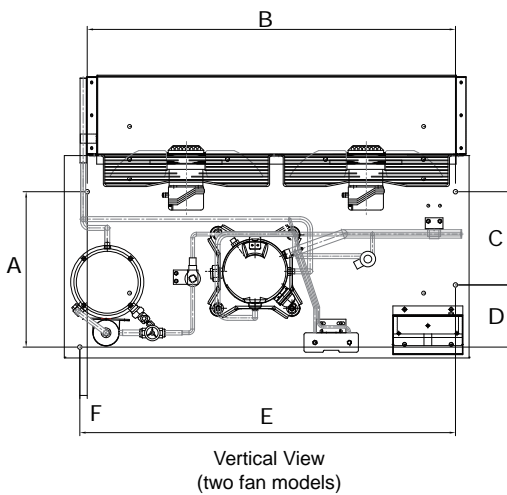
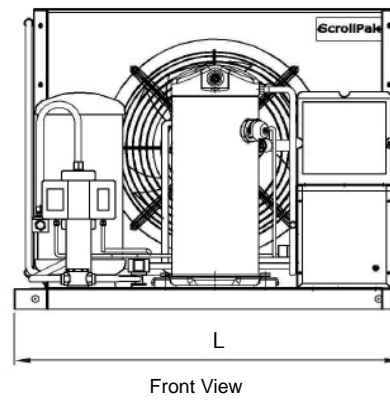
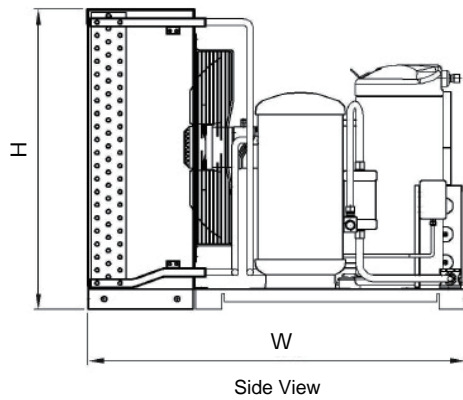
Technical Data

Model	Compressor Model	Condenser Platform	Nominal Input Rating (HP)	Compressor Electrical Rating	Number of Fans	Fan Diameter (mm)	Fan Electrical Rating	Total Fan Motor Rating (W)	Fan Motor Current Rating (A)	Rated Load Ampere (A)	Locked Rotor Ampere (A)	Receiver Volume (L)	Suction Line (In)	Liquid Line (In)
SPC020B.P.B31	ZB15KCE-PFJ	B31	2.0	220/240V-1-50Hz	1	350	230V-1-50Hz	210	0.91	13.2	58	4	3/4	1/2
SPC020B.P.C31HA	ZB15KCE-PFJ	C31	2.0	220/240V-1-50Hz	1	350	230V-1-50Hz	210	0.91	13.2	58	4	3/4	1/2
SPC020B.T.B31	ZB15KCE-TFD	B31	2.0	380/420V-3-50Hz	1	350	230V-1-50Hz	210	0.91	5	26	4	3/4	1/2
SPC020B.T.C31HA	ZB15KCE-TFD	C31	2.0	380/420V-3-50Hz	1	350	230V-1-50Hz	210	0.91	5	26	4	3/4	1/2
SPC020S.P.B31	ZSI06KQE-PFZ	B31	2.0	220/240V-1-50Hz	1	350	230V-1-50Hz	210	0.91	13.0	57	4	3/4	3/8
SPC020S.P.C31HA	ZSI06KQE-PFZ	C31	2.0	220/240V-1-50Hz	1	350	230V-1-50Hz	210	0.91	13.0	57	4	3/4	3/8
SPC020S.T.B31	ZSI06KQE-TFM	B31	2.0	380/420V-3-50Hz	1	350	230V-1-50Hz	210	0.91	5.6	40	4	3/4	3/8
SPC020S.T.C31HA	ZSI06KQE-TFM	C31	2.0	380/420V-3-50Hz	1	350	230V-1-50Hz	210	0.91	5.6	40	4	3/4	3/8
SPC025B.P.B31	ZB19KCE-PFJ	C31	2.5	220/240V-1-50Hz	1	350	230V-1-50Hz	210	0.91	14.6	61	4	3/4	1/2
SPC025B.P.C31HA	ZB19KCE-PFJ	B31	2.5	220/240V-1-50Hz	1	350	230V-1-50Hz	210	0.91	14.6	61	4	3/4	1/2
SPC025B.T.B31	ZB19KCE-TFD	C31	2.5	380/420V-3-50Hz	1	350	230V-1-50Hz	210	0.91	5	32	4	3/4	1/2
SPC025B.T.C31HA	ZB19KCE-TFD	B31	2.5	380/420V-3-50Hz	1	350	230V-1-50Hz	210	0.91	5	32	4	3/4	1/2
SPC030S.T.C31	ZSI09KQE-TFM	C31	3.0	380/420V-3-50Hz	1	350	230V-1-50Hz	210	0.91	5.6	40	6	7/8	3/8
SPC030S.T.D31HA	ZSI09KQE-TFM	D31	3.0	380/420V-3-50Hz	1	350	230V-1-50Hz	210	0.91	5.6	40	6	7/8	3/8
SPC035S.T.C31	ZSI11KQE-TFM	C31	3.5	380/420V-3-50Hz	1	350	230V-1-50Hz	210	0.91	8.0	52	6	7/8	3/8
SPC035S.T.D31HA	ZSI11KQE-TFM	D31	3.5	380/420V-3-50Hz	1	350	230V-1-50Hz	210	0.91	8.0	52	6	7/8	3/8
SPC040S.T.D31	ZSI14KQE-TFM	D31	4.0	380/420V-3-50Hz	1	350	230V-1-50Hz	210	0.91	9.0	52	6	7/8	1/2
SPC040S.T.E42HA	ZSI14KQE-TFM	E42	4.0	380/420V-3-50Hz	2	400	230V-1-50Hz	380	0.61	9.0	52	8	7/8	1/2
SPC050S.T.D31	ZSI15KQE-TFM	D31	5.0	380/420V-3-50Hz	1	350	230V-1-50Hz	210	0.91	10.0	52	6	7/8	1/2
SPC050S.T.E42HA	ZSI15KQE-TFM	E42	5.0	380/420V-3-50Hz	2	400	230V-1-50Hz	380	0.91	10.0	52	8	7/8	1/2
SPC060S.T.E42	ZSI18KQE-TFM	E42	6.0	380/420V-3-50Hz	2	400	230V-1-50Hz	380	0.61	11.0	74	8	7/8	1/2
SPC060S.T.F42HA	ZSI18KQE-TFM	F42	6.0	380/420V-3-50Hz	2	400	230V-1-50Hz	380	0.61	11.0	74	8	7/8	1/2

Dimension

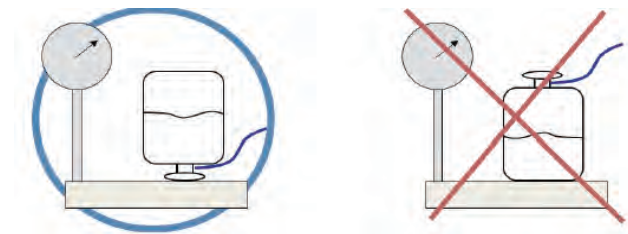
Model	Size (mm)												Weight* (kg)
	A	B	C	D	E	F	H	W	L	H*	W*	L*	
SPC020B.P.B31	260	640	105	155	640	—	480	584	716	520	614	746	81
SPC020B.P.C31HA	395	660	240	155	660	—	534	720	733	574	750	763	87
SPC020B.T.B31	260	640	105	155	640	—	480	584	716	520	614	746	81
SPC020B.T.C31HA	395	660	240	155	660	—	534	720	733	574	750	763	87
SPC020S.P.B31	260	640	105	155	640	—	480	584	716	520	614	746	80
SPC020S.P.C31HA	395	660	240	155	660	—	534	720	733	574	750	763	86
SPC020S.T.B31	260	640	105	155	640	—	480	584	716	520	614	746	80
SPC020S.T.C31HA	395	660	240	155	660	—	534	720	733	574	750	763	86
SPC025B.P.B31	260	640	105	155	640	—	480	584	716	520	614	746	83
SPC025B.P.C31HA	395	660	240	155	660	—	534	720	733	574	750	763	89
SPC025B.T.B31	260	640	105	155	640	—	480	584	716	520	614	746	83
SPC025B.T.C31HA	395	660	240	155	660	—	534	720	733	574	750	763	89
SPC030S.T.C31	395	660	240	155	660	—	534	720	733	574	750	763	88
SPC030S.T.D31HA	395	660	240	155	660	—	584	720	733	624	750	763	91
SPC035S.T.C31	395	660	240	155	660	—	534	720	733	574	750	763	95
SPC035S.T.D31HA	395	660	240	155	660	—	584	720	733	624	750	763	98
SPC040S.T.D31	395	660	240	155	660	—	584	720	733	624	750	763	98
SPC040S.T.E42HA	400	948	240	160	967	20	557	724	1040	597	754	1070	134
SPC050S.T.D31	395	660	240	155	660	—	584	720	733	624	750	763	100
SPC050S.T.E42HA	400	948	240	160	967	20	557	724	1040	597	754	1070	134
SPC060S.T.E42	400	948	240	160	967	20	557	724	1040	597	754	1070	147
SPC060S.T.F42HA	400	948	240	160	967	20	557	724	1040	597	754	1070	151

* Packed Dimensions/Weight



Caution

- Charge liquid into high side of system.
- Do not vapor charge the system through the suction, otherwise compressor will overheat.
- If top up is necessary, bleed some liquid refrigerant into low side when the compressor is running.



Far East Maju Engineering Works Sdn Bhd
R&D, Software & Engineering HQ
Tel: (60)-3 8961 0910 Fax: (60)-3 8961 5970
Email: eden@edeng3.com



Eden Refrigeration Manufacturing
(Jiangsu) Co., Ltd.
Tel: (86)-519 8806 3222 Fax: (86)-519 8806 3233
Email: edensolution@fareastref.com



Visit Us:

www.edensolution.com

Eden accepts no responsibility for possible errors in catalogues, brochures and other printed materials. Eden reserves the right to alter its products without notice. This also applies to products already on order provided that such alterations can be made without subsequential changes being necessary in specifications already agreed.

